

4

3

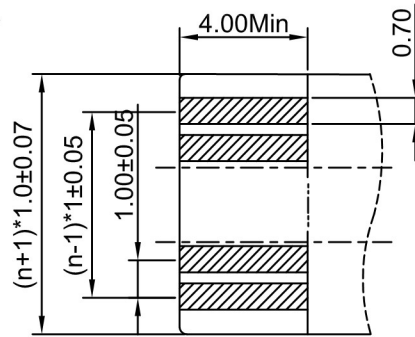
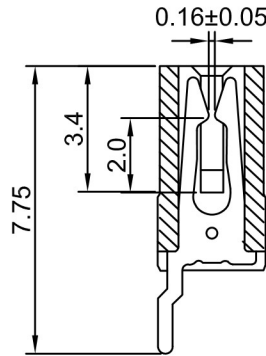
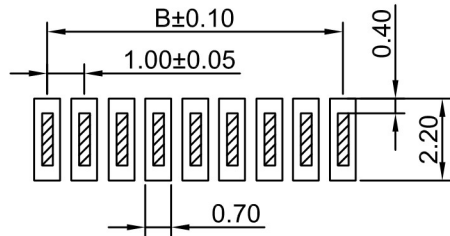
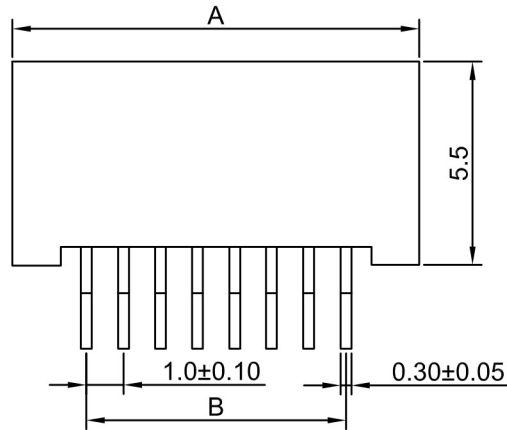
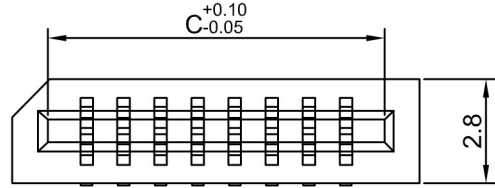
2

1

CROWN LINK®

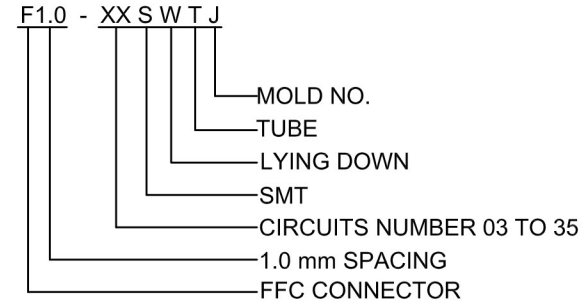
專業薄膜開關連接器第一品牌

ROHS



- ◆ Specifications:
 - Operating Voltage:50V
 - Current Rating: 0.5A
 - Withstand Voltage: 500V
 - Contact Resistance:30mΩ
 - Insulation resistance:500MΩ
 - Operating Temperature:-25°C~+85°C

◆ PART NO.



孔數	A	B	C
3	6.00	2.00	4.10
4	7.00	3.00	5.10
5	8.00	4.00	6.10
6	9.00	5.00	7.10
7	10.00	6.00	8.10
8	11.00	7.00	9.10
9	12.00	8.00	10.10
10	13.00	9.00	11.10
11	14.00	10.00	12.10
12	15.00	11.00	13.10
13	16.00	12.00	14.10
14	17.00	13.00	15.10
15	18.00	14.00	16.10
16	19.00	15.00	17.10
17	20.00	16.00	18.10
18	21.00	17.00	19.10
19	22.00	18.00	20.10
20	23.00	19.00	21.10
21	24.00	20.00	22.10
22	25.00	21.00	23.10
23	26.00	22.00	24.10
24	27.00	23.00	25.10
25	28.00	24.00	26.10
26	29.00	25.00	27.10
27	30.00	26.00	28.10
28	31.00	27.00	29.10
29	32.00	28.00	30.10
30	33.00	29.00	31.10
31	34.00	30.00	32.10
32	35.00	31.00	33.10
33	36.00	32.00	34.10
34	37.00	33.00	35.10
35	38.00	34.00	36.10

				一般公差 ±0.2
A	FIRST DRAWING	UNA	2019.06.25	
REV/版本	MODIFIED CONTENT /變更內容	DRAWN/繪圖	DATE/日期	TOLERANCE RANGE/公差範圍

DRAWN/繪圖	DATE/日期	CROWN LINK® THE LEADING MANUFACTURER OF FPC & FFC CONNECTOR, HOUSING AND DOME.			
CHECK BY/審查	DATE/日期	PRODUCT NAME/品名			
APPROVED BY/核准	DATE/日期	1.0mm PITCH SMT CONNECTOR			
PACKAGE/包裝	TUBE	PART NO./料號	PIN NUMBER/針數	SCALE/比例	SIZE/圖號
		F1.0-XXSWTJ	3-35	5:1	A4
		MATERIAL/材質	COLOR/顏色	ANGLE OF VIEW/視角	SHEET/頁碼
		PA6T	BLACK COLOR	1 OF 1	REV/版本
					A