

4

3

2

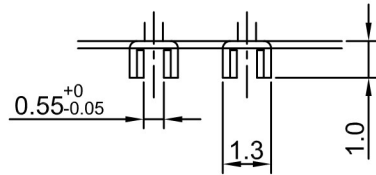
1

CROWN LINK®

專業薄膜開關連接器第一品牌

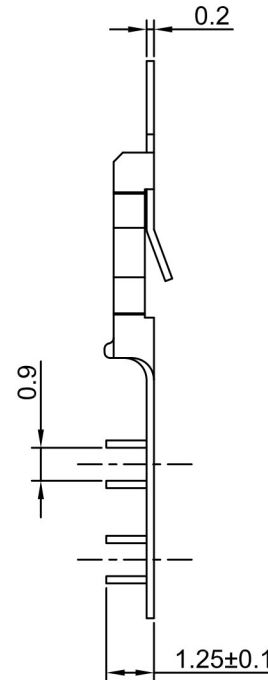
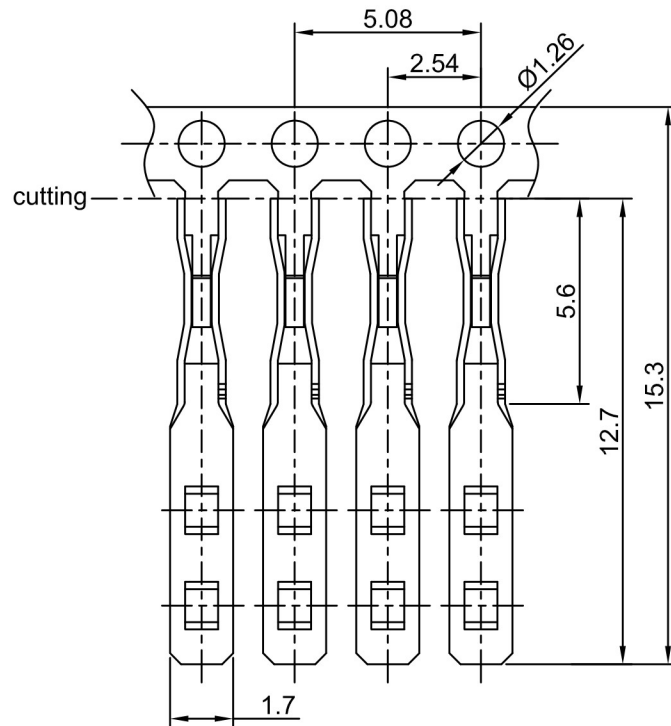


RoHS



HG:SELECTIVE GOLD PLATED

- ◆ FOR 2802 SERIES HOUSING
- ◆ SPECIFICATIONS
 - VOLTAGE RATING: 250 VAC RMS
 - CURRENT RATING: 3 AMP
 - DIELECTRIC WITHSTANDING VOLTAGE: AC 250V FOR 1 MINUTE
 - INSULATION RESISTANCE: 500 MΩ
- ◆ ENVIRONMENTAL
 - TEMPERATURE RANGE: -40°C~+105°C
- ◆ PART NO.



2808C01 - 30K - HG - F

SERIES NO. FEMALE

30K/REEL

HG:SELECTIVE GOLD PLATED
OTHER PLATINGS ON REQUEST

D	SIZE CORRECTION	MARY	2018.01.03	X. ±0.20 .X ±0.10 .XX ±0.05 TOLERANCE RANGE/公差範圍	DRAWN/繪圖 MARY	DATE/日期 2018.01.03	CROWN LINK® THE LEADING MANUFACTURER OF FPC & FFC CONNECTOR, HOUSING AND DOME. PRODUCT NAME/品名 2.54mm PITCH FFC/FPC CONNECTOR			
C	TERMINAL HEIGHT MODIFIED	MARY	2017.10.18		CHECK BY/審查 VIVIAN	DATE/日期 2018.01.03				
B	NEW DRAWING FORMAT	TRACY	2015.08.06		APPROVED BY/核准 JASON	DATE/日期 2018.01.03	PART NO./料號 2808C01-30K-HG-F	SCALE/比例 5:1	SIZE/圖號 A4	UNIT/單位 mm
A	FIRST DRAWING	ANNIE	2012.07.18		PACKAGE/包裝 30,000PCS/REEL	MATERIAL/材質 PHOSPHCR BRONZE	ANGLE OF VIEW/視角 	SHEET/頁碼 1 OF 1	REV//版本 D	
REV/版本	MODIFIED CONTENT /變更內容	DRAWN/繪圖	DATE/日期							