

4

3

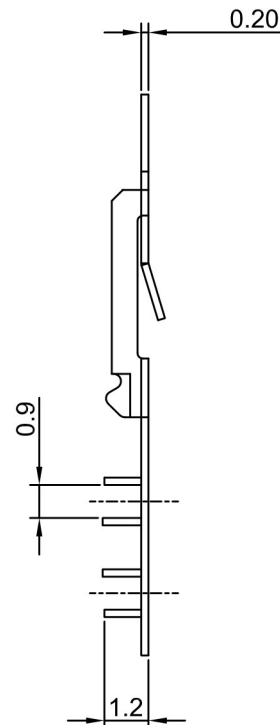
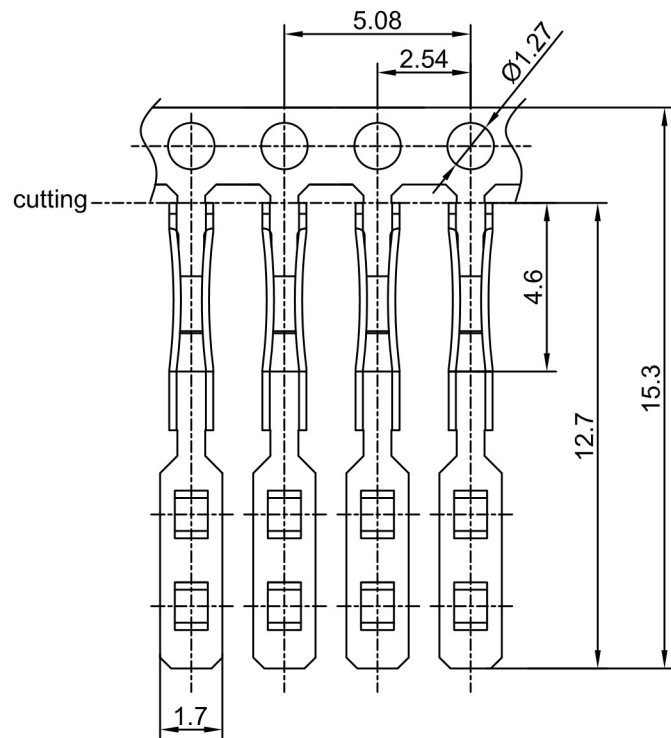
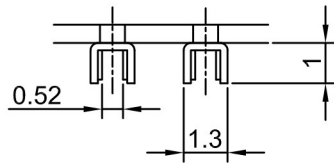
2

1

# CROWN LINK<sup>®</sup>

專業薄膜開關連接器第一品牌

RoHS



- ◆ FOR 2.54 mm HOUSING
- ◆ SPECIFICATIONS
  - VOLTAGE RATING: 250 VAC RMS
  - CURRENT RATING: 3 AMP
  - DIELECTRIC WITHSTANDING VOLTAGE: AC 250V FOR 1 MINUTE.
  - INSULATION RESISTANCE: 500 MΩ

- ◆ ENVIRONMENTAL
  - TEMPERATURE RANGE: -40°C~+105°C

- ◆ PART NO.

28681T - F

SERIES NO.

FEMALE

B	PART NO. CHANGE	JUDY	2019.09.05
A	FIRST DRAWING	ANNIE	2013.04.25
REV/版本	MODIFIED CONTENT /變更內容	DRAWN/繪圖	DATE/日期

X. ±0.20  
X. ±0.10  
.XX ±0.05

TOLERANCE RANGE/公差範圍

DRAWN/繪圖 JUDY	DATE/日期 2019.09.05	<b>CROWN LINK<sup>®</sup></b> THE LEADING MANUFACTURER OF FPC & FFC CONNECTOR, HOUSING AND DOME. PRODUCT NAME/品名 2.54mm PITCH FFC/FPC CONNECTOR			
CHECK BY/審查 VIVIAN	DATE/日期 2019.09.05				
APPROVED BY/核准 WENDY	DATE/日期 2019.09.05	PART NO./料號 28681T-F	SCALE/比例 5:1	SIZE/圖號 A4	UNIT/單位 mm
PACKAGE/包裝 30,000PCS/REEL		MATERIAL/材質 PHOSPHOR BRONZE	ANGLE OF VIEW/視角 ⊕	SHEET/頁碼 1 OF 1	REV/版本 B

D

D

C

C

B

B

A

A