

4

3

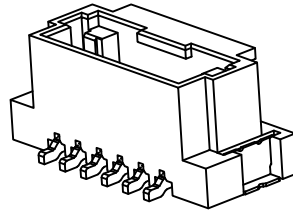
2

1

CROWN LINK[®]

專業薄膜開關連接器第一品牌

ROHS



- ◆ FOR 2008HL HOUSING
- ◆ SPECIFICATIONS
 - VOLTAGE RATING: 125V AC,DC
 - CURRENT RATING: 3A AC,DC
 - CONTACT RESISTANCE: 20 mΩ MAX
 - INSULATION RESISTANCE: 1000 MΩ MIN
 - WITHSTANDING VOLTAGE: 500V AC / MINUTE
- ◆ ENVIRONMENTAL
 - TEMPERATURE RANGE: -25°C~+105°C

◆ PART NO.

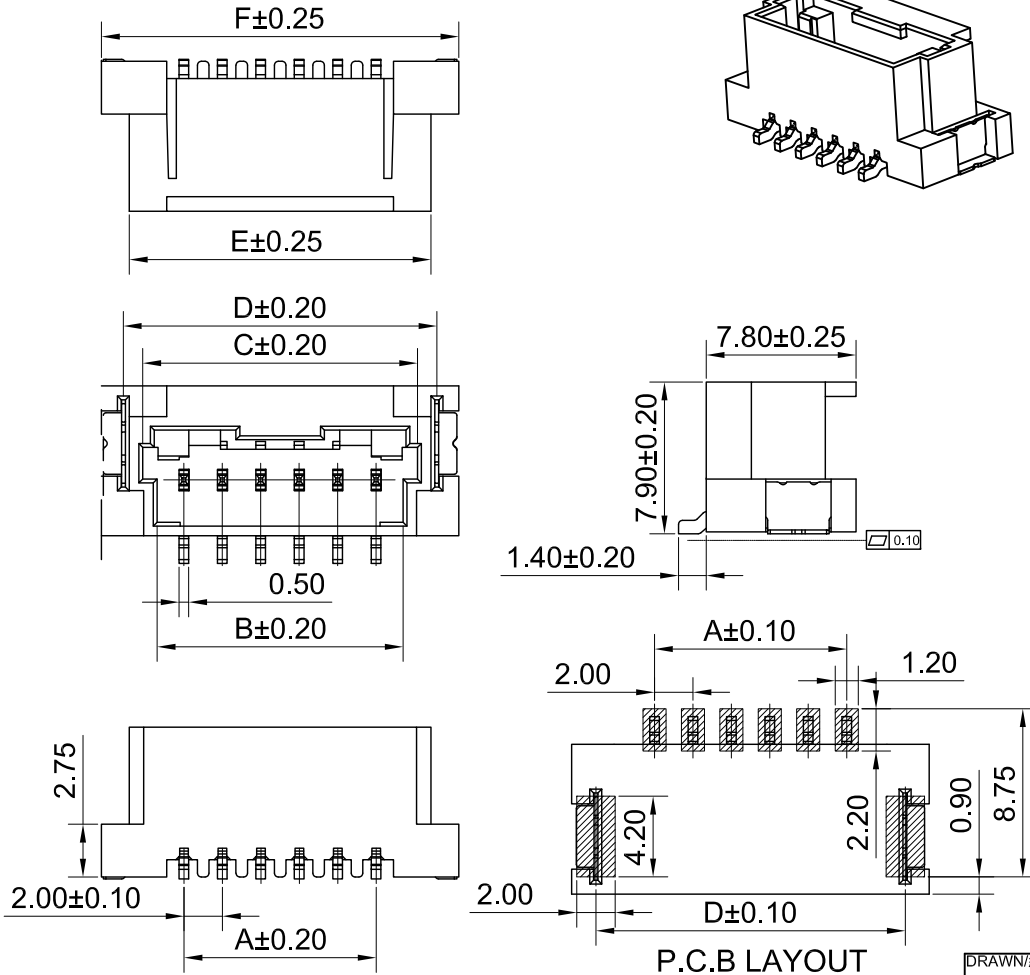
CL2008 S - XX V N H

SMT MOLD NO.

NO LOGO

VERTICAL

SERIES NO. CIRCUITS NUMBER 02 TO 15



Part NO.	Dimensions					
	A	B	C	D	E	F
02	2.00	4.80	6.30	8.10	7.50	10.50
03	4.00	6.80	8.30	10.10	9.50	12.50
04	6.00	8.80	10.30	12.10	11.50	14.50
05	8.00	10.80	12.30	14.10	13.50	16.50
06	10.00	12.80	14.30	16.10	15.50	18.50
07	12.00	14.80	16.30	18.10	17.50	20.50
08	14.00	16.80	18.30	20.10	19.50	22.50
09	16.00	18.80	20.30	22.10	21.50	24.50
10	18.00	20.80	22.30	24.10	23.50	26.50
11	20.00	22.80	24.30	26.10	25.50	28.50
12	22.00	24.80	26.30	28.10	27.50	30.50
13	24.00	26.80	28.30	30.10	29.50	32.50
14	26.00	28.80	30.30	32.10	31.50	34.50
15	28.00	30.80	32.30	34.10	33.50	36.50

REV/版本	MODIFIED CONTENT /變更內容	DRAWN/繪圖	DATE/日期	TOLERANCE RANGE/公差範圍

X: ±0.50 X*: ±3*
 X: ±0.30 X*: ±2*
 .XX ±0.20 .XX*: ±1*
 .XXX ±0.10 .XXX*: ±0.5*

DRAWN/繪圖	DATE/日期	CROWN LINK[®] THE LEADING MANUFACTURER OF FPC & FFC CONNECTOR, HOUSING AND DOME.				
JUDY	2023.10.12	PRODUCT NAME/品名				
CHECK BY/審查	DATE/日期	2.00mm PITCH SMT WAFER				
VIVIAN	2023.10.12	PART NO./料號	PIN NUMBER/針數	SCALE/比例	SIZE/圖號	UNIT/單位
APPROVED BY/核准	DATE/日期	CL2008S-XXVNH	02-15PIN	5:1	A4	mm
JASON	2023.10.12	MATERIAL/材質	COLOR/顏色	ANGLE OF VIEW/視角	SHEET/頁碼	REV/版本
PACKAGE/包裝	500PCS/REEL	BRASS TIN PA9T UL94V-0	NATURAL	⊕	1 OF 1	A