

4

3

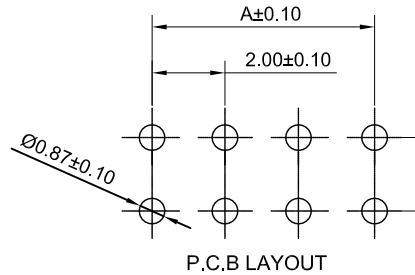
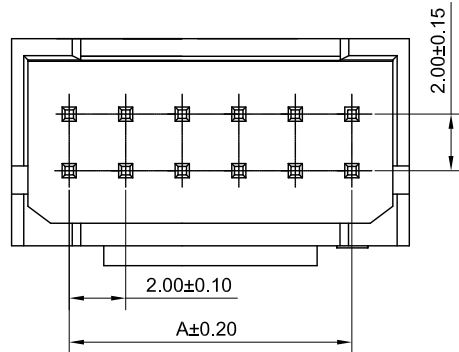
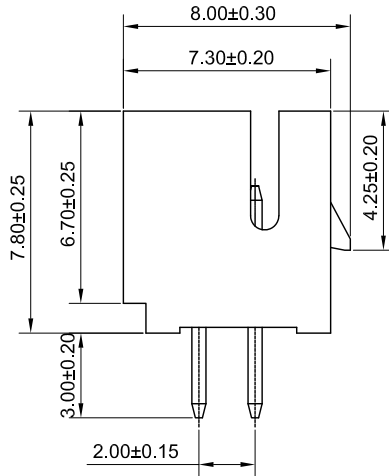
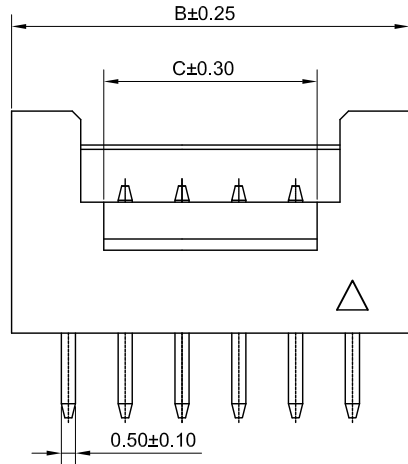
2

1

CROWN LINK[®]

專業薄膜開關連接器第一品牌

ROHS



- ◆ FOR 2009HL HOUSING
- ◆ SPECIFICATIONS
 - VOLTAGE RATING: 250V AC, DC
 - CURRENT RATING: 3A AC, DC
 - CONTACT RESISTANCE: 20 mΩ MAX
 - INSULATION RESISTANCE: 1000 MΩ MIN
 - WITHSTANDING VOLTAGE: 800V AC / MINUTE
- ◆ ENVIRONMENTAL
 - TEMPERATURE RANGE: -25°C ~ +85°C
- ◆ PART NO.

CL2009 V - XX D N H

VERTICAL MOLD NO.
 NO LOGO
 DOUBLE ROW
 SERIES NO. CIRCUITS NUMBER 04 TO 30 OR 36/40

Part NO.	Dimensions			Part NO.	Dimensions		
	A	B	C		A	B	C
04	2.00	6.00	3.00	20	18.00	22.00	15.00
06	4.00	8.00	3.00	22	20.00	24.00	17.00
08	6.00	10.00	3.00	24	22.00	26.00	19.00
10	8.00	12.00	5.00	26	24.00	28.00	21.00
12	10.00	14.00	7.00	28	26.00	30.00	23.00
14	12.00	16.00	9.00	30	28.00	32.00	25.00
16	14.00	18.00	11.00	36	34.00	38.00	31.00
18	16.00	20.00	13.00	40	38.00	42.00	35.00

REV/版本	MODIFIED CONTENT /變更內容	DRAWN/繪圖	DATE/日期	TOLERANCE RANGE/公差範圍
				X ±0.30 X* ±2° .X ±0.30 X* ±2° .XX ±0.20 .XX* ±1° .XXX ±0.10 .XXX* ±0.5°

DRAWN/繪圖	DATE/日期	CROWN LINK[®] THE LEADING MANUFACTURER OF FPC & FFC CONNECTOR, HOUSING AND DOME.				
JUDY	2023.10.16	PRODUCT NAME/品名				
CHECK BY/審查	DATE/日期	2.00mm PITCH VERTICAL WAFER(PHB)				
VIVIAN	2023.10.16	PART NO./料號	PIN NUMBER/針數	SCALE/比例	SIZE/圖號	UNIT/單位
APPROVED BY/核准	DATE/日期	CL2009V-XXDNH	04-30/36/40PIN	3:1	A4	mm
WENDY	2023.10.16	MATERIAL/材質	COLOR/顏色	ANGLE OF VIEW/視角	SHEET/頁碼	REV/版本
PACKAGE/包裝	2,000PCS/BAG	BRASS TIN	NATURAL		1 OF 1	C
		NY66 UL94V-0				