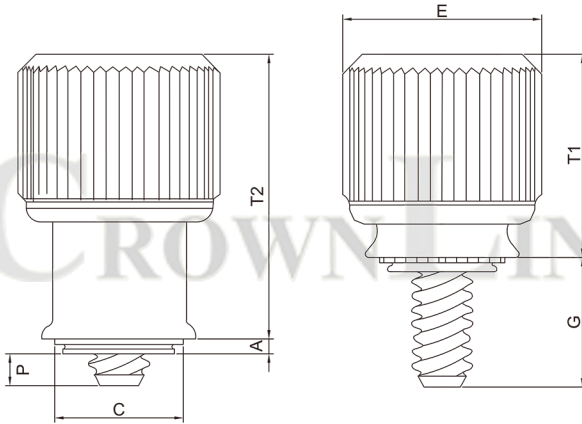


產品尺寸

Product Size



尺寸單位:英寸 / All Dimensions Are In Inches

螺紋尺寸 Thread Size	凸邊 Knurled Cap	平邊 Smooth Cap	螺紋碼 Thread Code	底端碼 Shank Code	A (Shank) Max.	最小板厚 Min. Sheet Thickness	安裝孔 Hole Size In Sheet + .005 -.000	C Max.	E ± .010	G ± .025	P ± .025	T1 Nom	T2 Nom	槽行尺寸 Driver Size
.112-40 (#4-40)	PF11MF	PF12MF	440	0	.041	.031	.187	.186	.417	.200	.000	.310	.470	#1
				1						.260	.055			
				2						.320	.115			
.138-32 (#6-32)	PF11MF	PF12MF	632	0	.072	.060	.213	.212	.450	.230	.000	.450	.640	#2
				1						.290	.024			
				2						.350	.084			
.164-32 (#8-32)	PF11MF	PF12MF	832	0	.072	.060	.266	.265	.514	.230	.000	.450	.640	#2
				1						.290	.024			
				2						.350	.084			
.190-32 (#10-32)	PF11MF	PF12MF	032	0	.072	.060	.266	.265	.514	.230	.000	.450	.640	#2
				1						.290	.024			
				2						.350	.084			
.250-20 (1/4-20)	PF11MF	PF12MF	0420	0	.072	.060	.323	.322	.575	.290	.000	.530	.640	#3
				1						.350	.024			
				2						.410	.084			

尺寸單位:毫米MM / All Dimensions Are In Millimeters

螺紋尺寸 Thread Size	凸邊 Knurled Cap	平邊 Smooth Cap	螺紋碼 Thread Code	底端碼 Shank Code	A (Shank) Max.	最小板厚 Min. Sheet Thickness	安裝孔 Hole Size In Sheet +0.1	C Max.	E ±0.25	G ±0.64	P ±0.64	T1 Nom	T2 Nom	槽行尺寸 Driver Size
M3 x 0.5	PF11MF	PF12MF	M3	0	1.05	0.79	4.75	4.73	10.59	5.08	0	7.87	11.94	#1
				1						6.6	1.4			
				2						8.13	2.92			
M4 x 0.7	PF11MF	PF12MF	M4	0	1.83	1.52	6.76	6.74	13.06	5.84	0	11.43	16.26	#2
				1						7.37	0.61			
				2						8.89	2.13			
M5 x 0.8	PF11MF	PF12MF	M5	0	1.83	1.52	6.76	6.74	13.06	5.84	0	11.43	16.26	#2
				1						7.37	0.61			
				2						8.89	2.13			
M6 x 1	PF11MF	PF12MF	M6	0	1.83	1.52	8.2	8.18	14.61	7.37	0	13.46	20.32	#3
				1						8.89	0.61			
				2						10.41	2.13			