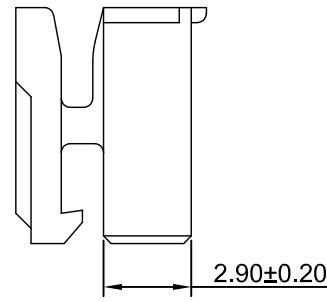
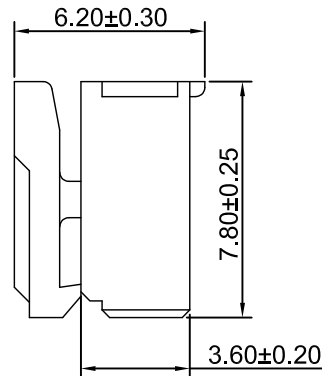
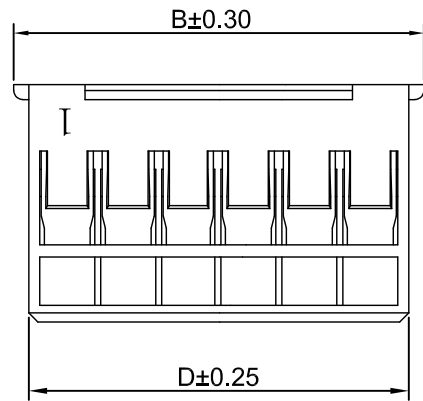


CROWN LINK[®]

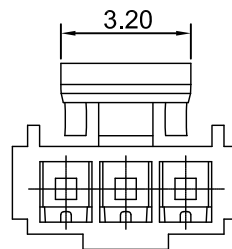
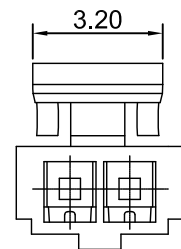
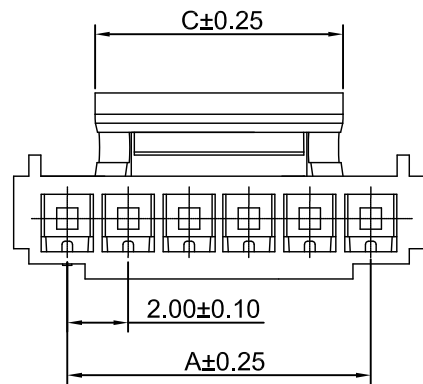
專業薄膜開關連接器第一品牌

RoHS



03PIN

02PIN



02PIN

03PIN

- ◆ FOR 2005 SERIES CONNECTOR
- ◆ SPECIFICATIONS
 - VOLTAGE RATING: 250V AC , DC
 - CURRENT RATING: 2A AC , DC
 - CONTACT RESISTANCE: 20mΩ MAX
 - INSULATION RESISTANCE: 1000 MΩ MIN.
- ◆ ENVIRONMENTAL
 - TEMPERATURE RANGE: -25°C~+85°C
 - WITHSTAND VOLTAGE: 1000 V AC / MINUTE

◆ PART NO.
 2005HL - XX N H
 SERIES NO. MOLD NO.
 NO LOGO
 CIRCUITS NUMBER 02 TO 20

Part NO.	Dimensions				Part NO.	Dimensions			
	A	B	C	D		A	B	C	D
02	2.00	5.60	3.20	4.55	12	22.00	25.60	16.30	24.55
03	4.00	7.60	3.20	6.55	13	24.00	27.60	16.30	26.55
04	6.00	9.60	4.30	8.55	14	26.00	29.60	16.30	28.55
05	8.00	11.60	4.30	10.55	15	28.00	31.60	16.30	30.55
06	10.00	13.60	8.30	12.55	16	30.00	33.60	16.30	32.55
07	12.00	15.60	10.30	14.55	17	32.00	35.60	16.30	34.55
08	14.00	17.60	12.30	16.55	18	34.00	37.60	16.30	36.55
09	16.00	19.60	12.30	18.55	19	36.00	39.60	16.30	38.55
10	18.00	21.60	12.30	20.55	20	38.00	41.60	16.30	40.55
11	20.00	23.60	16.30	22.55					

REV/版本	MODIFIED CONTENT /變更內容	DRAWN/繪圖	DATE/日期	TOLERANCE RANGE/公差範圍
				X .±0.50 X." ±3° X .±0.30 X." ±2° .XX ±0.20 .XX" ±1° .XXX ±0.10 .XXX" ±0.5°

DRAWN/繪圖	DATE/日期
JUDY	2023.08.25
CHECK BY/審查	DATE/日期
VIVIAN	2023.08.25
APPROVED BY/核准	DATE/日期
JASON	2023.08.25
PACKAGE/包裝	
	2,000/BAG

CROWN LINK[®] THE LEADING MANUFACTURER OF FPC & FFC CONNECTOR, HOUSING AND DOME.						
PRODUCT NAME/品名 2.00mm XHB HOUSING FOR CABLE						
PART NO./料號	PIN NUMBER/針數	SCALE/比例	SIZE/圖號	UNIT/單位		
2005HL-XXNH	02-20 PIN	4:1	A4	mm		
MATERIAL/材質	COLOR/顏色	ANGLE OF VIEW/視角	SHEET/頁碼	REV/版本		
PA66 UL 94V-0	WHITE		1 OF 1	A		