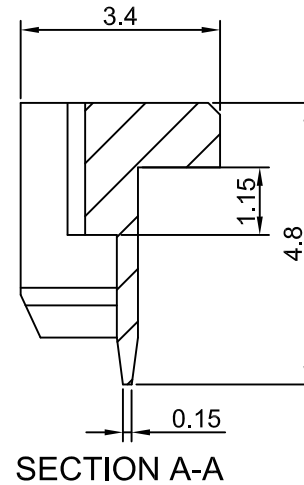
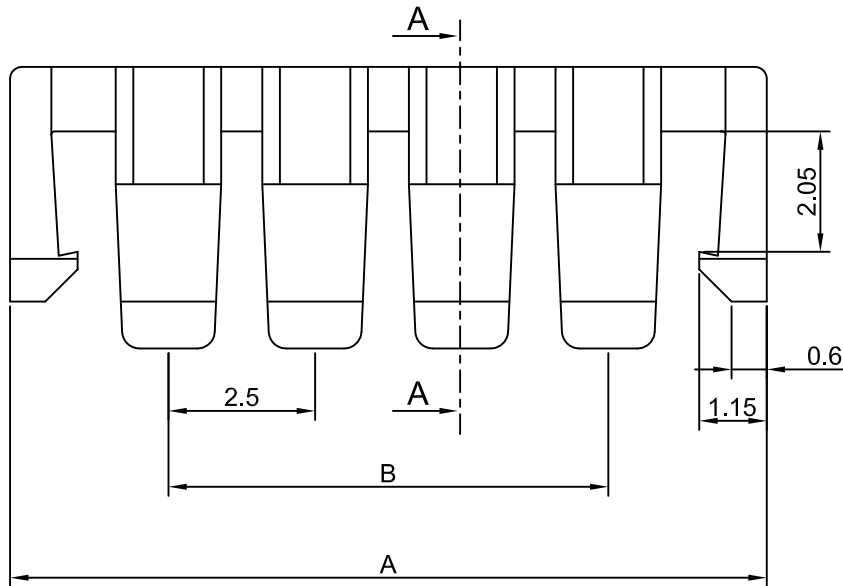


CROWN LINK®

專業薄膜開關連接器第一品牌

ROHS



- ◆ FOR XH CONNECTOR
- ◆ SPECIFICATIONS
 - VOLTAGE RATING: 250 V AC , DC
 - CURRENT RATING: 2 A
 - INSULATION RESISTANCE: $\geq 1000 \text{ M}\Omega \text{ MIN}$
- ◆ ENVIRONMENTAL
 - TEMPERATURE RANGE: $-20^{\circ}\text{C}\sim+85^{\circ}\text{C}$
 - WITHSAND VOLTAGE: 1000 V AC / MINUTE
- ◆ PART NO.
 - CL2507YL - XXNA
 - SERIES NO. MOLD NO.
 - LOCKING NO LOGO
 - CIRCUITS NUMBER 02 TO 12

◆ SPECIFIED TOLERANCE

| PIN NO. | A | B | PIN NO. | A | B |
|---------|------|------|---------|------|------|
| 02 | 7.9 | 2.5 | 08 | 22.9 | 17.5 |
| 03 | 10.4 | 5.0 | 09 | 25.4 | 20.0 |
| 04 | 12.9 | 7.5 | 10 | 27.9 | 22.5 |
| 05 | 15.4 | 10.0 | 11 | 30.4 | 25.0 |
| 06 | 17.9 | 12.5 | 12 | 32.9 | 27.5 |
| 07 | 20.4 | 15.0 | | | |

| | | | | |
|--------|------------------------|----------|---------|----------------|
| | | | | 一般公差 ± 0.2 |
| | | | | |
| | | | | |
| REV/版本 | MODIFIED CONTENT /變更內容 | DRAWN/繪圖 | DATE/日期 | |

| | | | | | | |
|----------------|-------------------------|---|---------------|-------------------------|----------|---------|
| DRAWN/繪圖 | DATE/日期 | THE LEADING MANUFACTURER OF FPC & FFC CONNECTOR, HOUSING AND DOME. | | | | |
| ANNIE | 2013.05.02 | CROWN LINK® | | | | |
| CHECK BY/審查 | DATE/日期 | PRODUCT NAME/品名 | | | | |
| VIVIAN | 2013.05.02 | 2.50mm PITCH HOUSING FOR CABLE | | | | |
| APPROVED BY/核准 | DATE/日期 | PART NO./料號 | PIN NUMBER/針數 | SCALE/比例 | SIZE/圖號 | UNIT/單位 |
| JASON | 2013.05.02 | CL2507YL-XXNA | 02-12 PIN | 8:1 | A4 | mm |
| PACKAGE/包裝 | | MATERIAL/材質 | COLOR/顏色 | ANGLE OF VIEW/視角 | SHEET/頁碼 | REV/版本 |
| | 02-12 PIN 2,000 PCS/BAG | PA66 | RED COLOR | \odot \triangleleft | 2 OF 2 | A |