

4

3

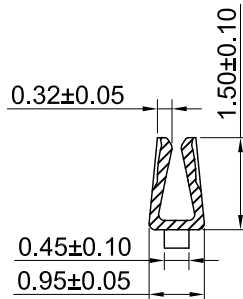
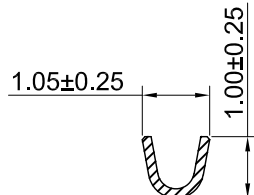
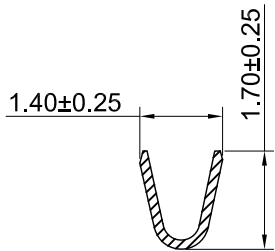
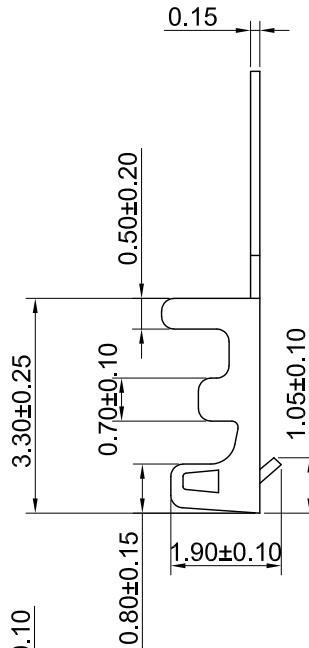
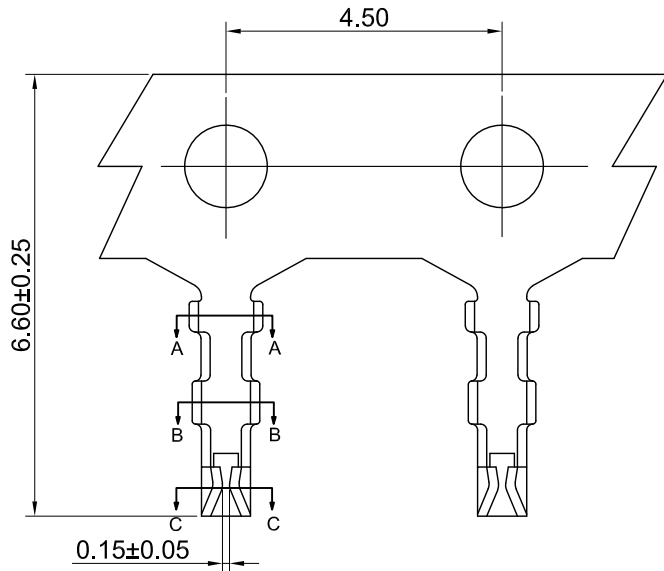
2

1

CROWN LINK®

專業薄膜開關連接器第一品牌

ROHS



- ◆ FOR 1252H SERIES HOUSING
- ◆ SPECIFICATIONS
 - VOLTAGE RATING: 125V AC,DC
 - CURRENT RATING: 1A AC,DC
 - WITHSTANDING VOLTAGE: 500V AC / MINUTE
 - INSULATION RESISTANCE: 100 MΩ MIN
 - CONTACT RESISTANCE: 20mΩ MAX
 - TEMPERATURE RANGE: -30°C~+85°C
- ◆ APPLICABLE WIRE: AWG28#~32#
- ◆ PART NO.
 - 1252- 20K - 0T - F H
 - SERIES NO. | 20K/REEL
 - MOLD NO. | FEMALE
 - 0T:TIN PLATED.

A-A SECTION

B-B SECTION

C-C SECTION

REV/版本	MODIFIED CONTENT /變更內容	DRAWN/繪圖	DATE/日期

X: ±0.50 X"
 X: ±0.30 X"
 XX: ±0.20 XX"
 XXX: ±0.10 XXX"

TOLERANCE RANGE/公差範圍

DRAWN/繪圖 JUDY	DATE/日期 2023.08.22	CROWN LINK® THE LEADING MANUFACTURER OF FPC & FFC CONNECTOR, HOUSING AND DOME. PRODUCT NAME/品名 4.50mm PITCH CONNECTOR FOR CABLE			
CHECK BY/審查 VIVIAN	DATE/日期 2023.08.22				
APPROVED BY/核准 WENDY	DATE/日期 2023.08.22	PART NO./料號 1252-20K-0T-FH	SCALE/比例 8:1	SIZE/圖號 A4	UNIT/單位 mm
PACKAGE/包裝	20,000PCS/REEL	MATERIAL/材質 PHOSPHOR BRONZE	ANGLE OF VIEW/視角 	SHEET/頁碼 1 OF 1	REV/版本 A