

4

3

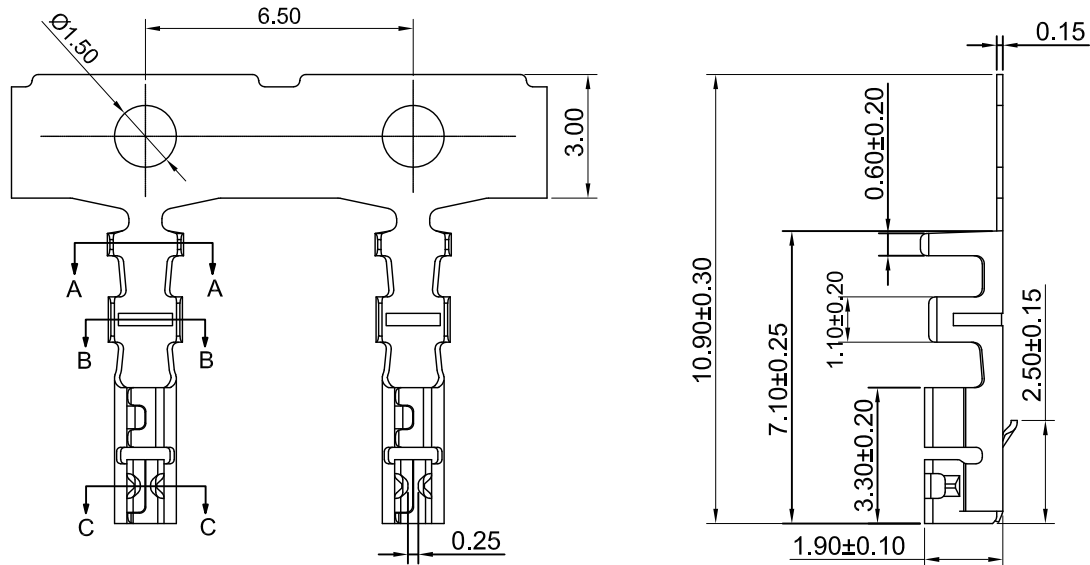
2

1

# CROWN LINK®

專業薄膜開關連接器第一品牌

ROHS



◆ FOR 2008HL SERIES HOUSING

◆ SPECIFICATIONS

VOLTAGE RATING: 125V AC,DC

CURRENT RATING: 3A AC,DC

WITHSTANDING VOLTAGE: 500V AC / MINUTE

INSULATION RESISTANCE: 1000 MΩ MIN

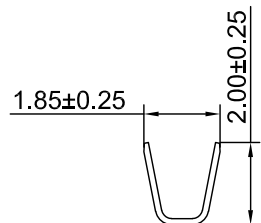
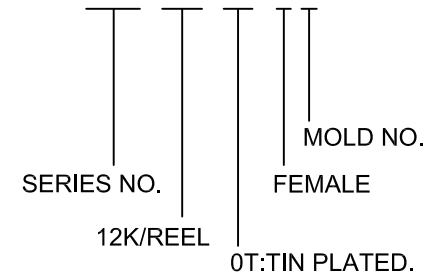
CONTACT RESISTANCE: 20mΩ MAX

TEMPERATURE RANGE: -25°C~+105°C

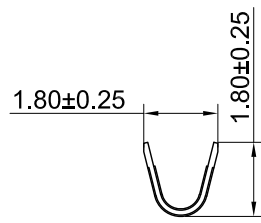
◆ APPLICABLE WIRE: AWG22#~26#

◆ PART NO.

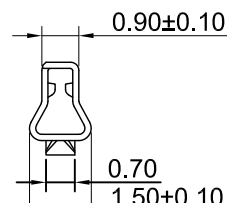
2008 - 12K - 0T - F H



A-A SECTION



B-B SECTION



C-C SECTION

REV/版本	MODIFIED CONTENT /變更內容	DRAWN/繪圖	DATE/日期	TOLERANCE RANGE/公差範圍
				X: ±0.30 X": ±2° X: ±0.30 X": ±2° .XX ±0.20 .XX": ±1° .XXX ±0.10 .XXX": ±0.5°

DRAWN/繪圖	DATE/日期	CROWN LINK® THE LEADING MANUFACTURER OF FPC & FFC CONNECTOR, HOUSING AND DOME.			
JUDY	2023.10.12	PRODUCT NAME/品名 6.50mm PITCH CONNECTOR FOR CABLE			
CHECK BY/審查	DATE/日期	PART NO./料號	SCALE/比例	SIZE/圖號	UNIT/單位
VIVIAN	2023.10.12	2008-12K-0T-FH	8:1	A4	mm
APPROVED BY/核准	DATE/日期	MATERIAL/材質	ANGLE OF VIEW/視角	SHEET/頁碼	REV/版本
WENDY	2023.10.12	PHOSPHOR BRONZE	⊕	1 OF 1	A
PACKAGE/包裝	12,000PCS/REEL				