

4

3

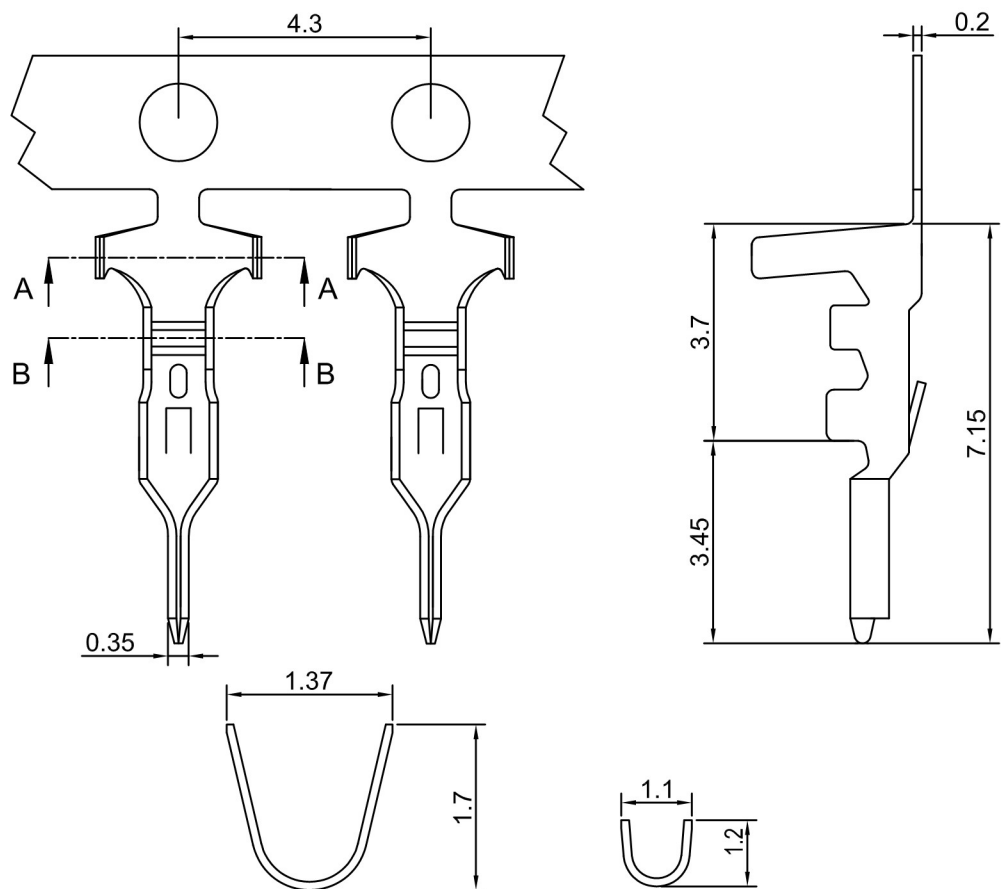
2

1

CROWN LINK®

專業薄膜開關連接器第一品牌

ROHS



0T:TIN PLATED

- ◆ FOR 2803 SERIES HOUSING
- ◆ SPECIFICATIONS
 - VOLTAGE RATING: 125V AC,DC
 - CURRENT RATING: 1A AC,DC
 - WITHSTANDING VOLTAGE: AC 500V FOR 1 MINUTE
 - INSULATION RESISTANCE: 500 MΩ MIN
 - CONTACT RESISTANCE: INITIAL VALUE/10MΩ MAX AFTER ENVIRONMENTAL TESTING: 20MΩ MAX
 - TEMPERATURE RANGE: -25°C~+85°C (INCLUDING TEMPERATURE RISE)

◆ APPLICABLE WIRE:AWG#28-26

◆ PART NO.

2803 - 15K - 0T - ML

SERIES NO. 15K/REEL

MALE

MOLD NO.

0T:PLATED NI 30~50u",TIN 100 u"
OTHER PLATINGS ON REQUEST

SEC A-A

SEC B-B

				X. ±0.35
				.X ±0.20
				.XX ±0.10
				.XXX ±0.03
REV/版本	MODIFIED CONTENT /變更內容	DRAWN/繪圖	DATE/日期	TOLERANCE RANGE/公差範圍
A	FIRST DRAWING	ANNIE	2014.08.29	

DRAWN/繪圖	DATE/日期	CROWN LINK® THE LEADING MANUFACTURER OF FPC & FFC CONNECTOR, HOUSING AND DOME.			
ANNIE	2014.08.29	PRODUCT NAME/品名 1.25mm PITCH CONNECTOR FOR CABLE			
CHECK BY/審查	DATE/日期	PART NO./料號	SCALE/比例	SIZE/圖號	UNIT/單位
VIVIAN	2014.08.29	2803-15K-0T-ML	8:1	A4	mm
APPROVED BY/核准	DATE/日期	MATERIAL/材質	ANGLE OF VIEW/視角	SHEET/頁碼	REV/版本
ELIAN	2014.08.29	PHOSPHOR BRONZE	⊕	1 OF 1	A
PACKAGE/包裝	15,000PCS/REEL				