

# CROWN LINK<sup>®</sup>

專業薄膜開關連接器第一品牌

RoHS

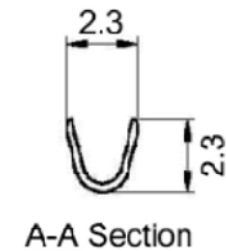
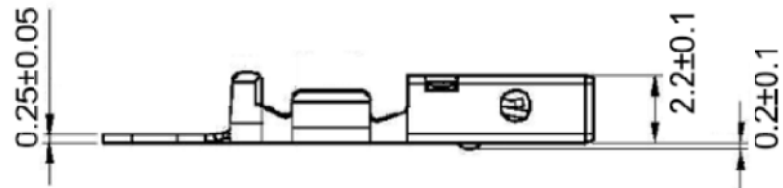
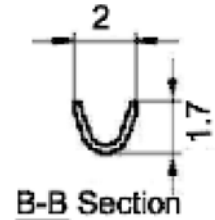
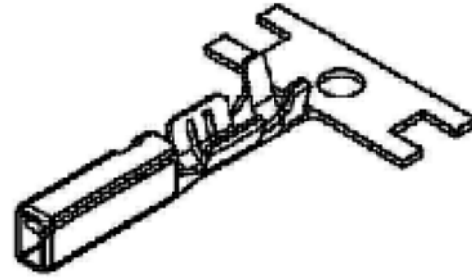
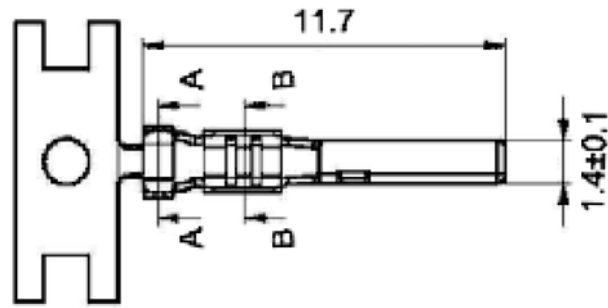
◆ NOTE:(備註:)

- 1.APPEARANCE NO OXIDIZED/ DEFORMED/ SCRAPE (外觀無氧化、變形、刮傷)
- 2.PER-TIN PLATING PLATED THICKNESS MORE THAN 40u" (預鍍錫膜厚40u"以上)
- 3.APPLICABLE WIRE SIZE: WCAVS0.3mm<sup>2</sup> AWG#22  
(適用線徑: WCAVS0.3mm<sup>2</sup> AWG#22)
- 4.TERMINAL INSERTED FORCE,WEANING FORCE:0.1~0.5 kgf  
端子插入力、離脫力: 0.1~0.5kgf

◆ PART NO.

WPCXXX - 0T - FY

- └── MOLD NO.
- └── FEMALE
- └── TIN PLATED
- └── CIRCUITS NUMBER
- └── CONTACTS
- └── WATERPROOF



				一般公差: ±0.3 TOLERANCE RANGE/公差範圍
A	FIRST DRAWING	MARY	2017.09.19	
REV/版本	MODIFIED CONTENT /變更內容	DRAWN/繪圖	DATE/日期	

DRAWN/繪圖	DATE/日期	<b>CROWN LINK<sup>®</sup> THE LEADING MANUFACTURER OF FPC &amp; FFC CONNECTOR, HOUSING AND DOME.</b>			
MARY	2017.09.19	PRODUCT NAME/品名			
CHECK BY/審查	DATE/日期	Female Terminal of Waterproof Connector			
VIVIAN	2017.09.19	PART NO./料號	SCALE/比例	SIZE/圖號	UNIT/單位
APPROVED BY/核准	DATE/日期	WPC022-0T-FY	3:1	A4	mm
WENDY	2017.09.19	MATERIAL/材質	ANGLE OF VIEW/視角	SHEET/頁碼	REV/版本
PACKAGE/包裝	10,000PCS/REEL	COPPER ALLOYS	⊕	1 OF 1	A