

4

3

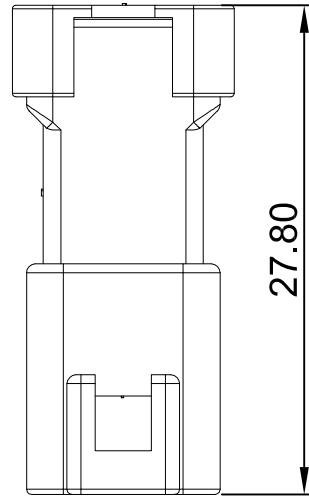
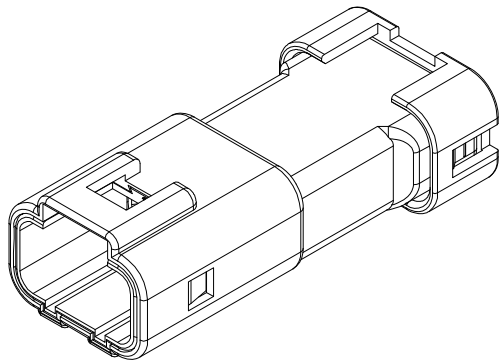
2

1

CROWN LINK®

專業薄膜開關連接器第一品牌

ROHS



◆ NOTE:(備註:)

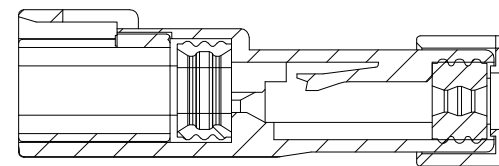
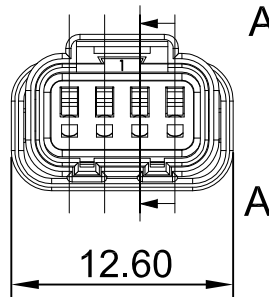
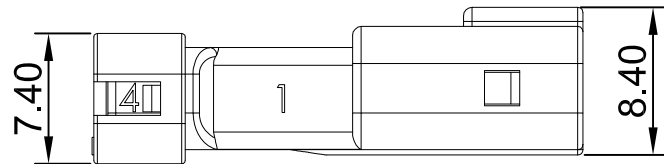
- 1.APPEARANCE NO VISUAL DEFECKS(BURRS,DEFORMS)
外觀無斷裂、變形、縮水、毛邊
- 2.CONNECTOR INSERTION/REMOVING FORCE:3.2 kgf ↓
插座插入, 離脫力: 3.2 kgf ↓
- 3.TERMINAL HOLDING FORCE:3 kgf ↑ (端子保持力: 3 kgf ↑)
- 4.LOCK STRENGTH:4 kgf ↑ (LOCKER強度: 4 kgf ↑)
- 5.APPLICABLE WIRE SIZE:WCAVS0.3mm² AWG#22
適用線徑: WCAVS0.3mm² AWG#22

◆ PART NO.

WPHM - XXNY

- MOLD NO.
- NO LOGO
- CIRCUITS NUMBER
- MALE
- HOUSING
- WATERPROOF

GENERAL TOLERANCE 公差表	
SIZE 尺寸	TOLERANCE 公差
0~6mm<	±0.25
6~18mm<	±0.30
18~30mm<	±0.35
30~50mm<	±0.45
50~80mm<	±0.55
80~120mm<	±0.70
120~180mm<	±0.90
180~250mm<	±1.10
250~315mm<	±1.35
315~400mm<	±1.60
400~500mm<	±1.90



REV/版本	MODIFIED CONTENT /變更內容	DRAWN/繪圖	DATE/日期	TOLERANCE RANGE/公差範圍
A	FIRST DRAWING	MARY	2017.09.19	GENERAL TOLERANCE 公差表

DRAWN/繪圖	DATE/日期	CROWN LINK® THE LEADING MANUFACTURER OF FPC & FFC CONNECTOR, HOUSING AND DOME.				
MARY	2017.09.19	PRODUCT NAME/品名 4 Poles Male Waterproof Connector				
CHECK BY/審查	DATE/日期	PART NO./料號	PIN NUMBER/針數	SCALE/比例	SIZE/圖號	UNIT/單位
VIVIAN	2017.09.19	WPHM-04NY	04	3:1	A4	mm
APPROVED BY/核准	DATE/日期	MATERIAL/材質	COLOR/顏色	ANGLE OF VIEW/視角	SHEET/頁碼	REV/版本
WENDY	2017.09.19	PBT	BLACK COLOR	⊕	1 OF 1	A
PACKAGE/包裝	BAG					